

PRO G 1350



Gastro Pro
Gastronorm Upright
1350 Litre Cabinet

specifications

PRO G 1350

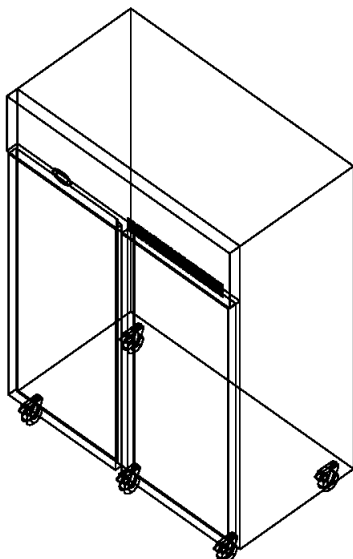


FEATURES & BENEFITS

- Top mounted refrigeration for easy access
- Concealed fan and evaporator for improved safety and more usable space
- Zero ODP refrigerants and insulation
- ECA Approved
- Energy-saving Hydrocarbon refrigerant option
- Minimal noise output, which is important in certain locations
- High refrigeration specification ensures it works in hot kitchens
- Climate Class 5 rating: 43°C ambient
- Simple to use LED temperature display with operating and safety alarms
- Easy to clean, non-rusting 304 grade stainless steel exterior as standard
- Unique fluted trayslides are easy to guide and prevent shelves from tipping
- Lockable castors for easy positioning and cleaning around the cabinet
- 60mm all round insulation maximises energy efficiency
- Impact resistant, removable PVC thermal break helps maintain temperature difference and offers easy access for servicing. Patent Applied No. 0019596.6
- Fully floating lock keep reduces the chance of accidental breakage. Patent Applied No. 0019598.2
- Removable easy clean condenser filter keeps coil in excellent running condition
- Compact refrigeration system featuring easily removable lid for service access. Patent Applied No. 0019600.6
- Completely removable refrigeration plug - fully replaceable

DIMENSIONS

External Dimensions: 1440 x 800 x 2100 (wxdxh) mm
Depth with door open: 1500 mm



RANGE

Type	Temp. Range
Model No. refrigerator	PRO G 1350 H +1/+4°C
Model No. freezer	PRO G 1350 L -18/-21°C
Model No. meat/chill	PRO G 1350 M -2/+2°C

PRO G 1350



PRO G 1350

TECHNICAL SPECIFICATION

● *standard* ○ *option*

FINISH

	1350 H	1350 L	1350 M
aluminium interior/exterior with 304 stainless steel front & interior base	●	●	●
304 stainless steel exterior/aluminium interior	○	○	○
304 stainless steel exterior/interior	○	○	○
complete 304 stainless steel back for island siting	○	○	○

FEATURES AND OPTIONS

	1350 H	1350 L	1350 M
number of GN2/1 (530 x 650mm) shelves	6	6	6
full solid door(s)	●	●	●
left hand hinged door	-	-	-
half solid door(s)	○	○	○
full glass door(s) and lighting*	○	-	-
castors 100mm	●	●	●
150mm legs (std. on remote)	○	○	○
additional nylon coated shelf (GN2/1)	○	○	○
integral	○	○	○
remote	○	○	○

SERVICE INFO

	1350 H	1350 L	1350 M
dec ratings (decibels)**	63.5	61.0	63.5
refrigerant R134a	●	-	●
refrigerant R404a	-	●	-
refrigerant R290 (Hydrocarbon)	○	○	○
thermal heat rejection	1398	1555	1408
230v	●	●	●
50Hz	●	●	●
60Hz	○	○	○
1Phase	●	●	●
watts	655	934	655
amps	4.7	4.6	4.7
fuse	13	13	13
drain (50mm)	-	-	-
approx. weights (kgs)	200	215	200

On Dual temps R134a standard on refrigerator; R404a on freezer.
 *Glass door models: 32°C ambient
 NB: Adequate airflow must be kept above the top of the cabinet: 150mm

**Measured 1m high from the floor and 1m out from the cabinet.



Foster Refrigerator
 Oldmedow Road
 King's Lynn
 Norfolk PE30 4JU

Tel: 01553 698466
 Fax: 01553 772504
 Email: projects@foster-uk.com
 www.fosterrefrigerator.co.uk

REF:CONSPEC/PRO1350v2.12/04