



ITEM NO.

## PF50S, and PF50R Portable Filters

AA File No. 35-C111

Specifically designed to extend shortening life

MODEL PF50S- 50 LB. (28 liters) Capacity (CE Approved)  
MODEL PF50R- 50 LB. (28 liters) Capacity (CE Approved)  
with reversible pump

- Simple to use
- Easy to clean
- Fast - filters a 50-lb fryer in 5 minutes
- Filters from bottom - minimal shortening heel
- Suction line heated for solid shortening
- Cover and fold-down handle
- Reversible pump - optional

Frymaster portable filters are easy to use and are specifically designed to extend shortening life by filtering out breadings, carbon deposits, and other minute particles that remain in the shortening after cooking.

Standard 12" x 18" (305 x 457 mm) Filter Magic® filter paper and Filter Magic powder are required for use with these portable filters to effectively condition 50 lbs. of shortening in five minutes from start to finish.

Regular and proper use of Frymaster portable filters can measurably extend the useful life of shortening and cooking oil for consistently good looking, great tasting fried foods.

Independent heat keeps the suction line open and free flowing when solid shortening is used. The pump filters from the bottom so there is no shortening heel left.

The portable filters are available in 50-lb. capacity with standard cover and fold down handle for convenient storage.



ISO 9001:2000



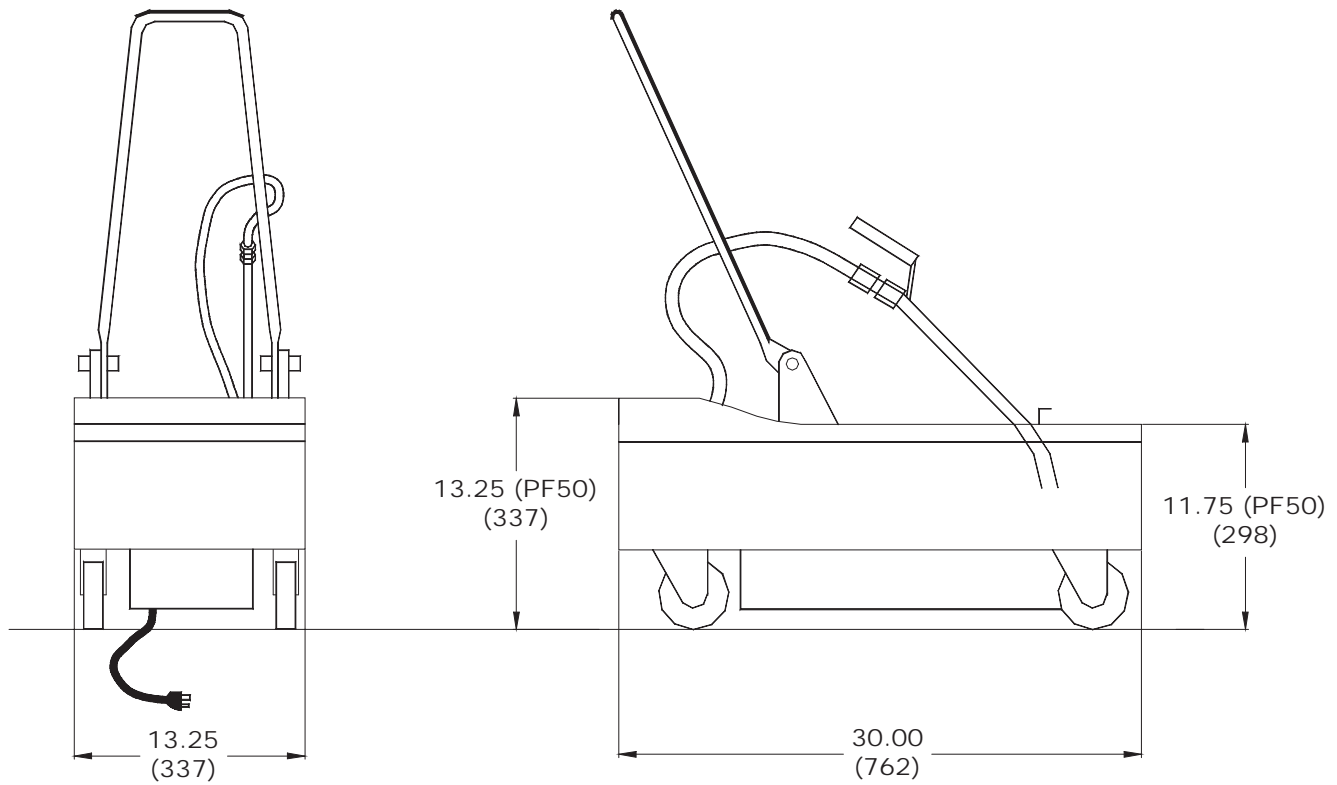
Frymaster, L. L. C.

8700 Line Avenue, P. O. Box 51000, Shreveport, Louisiana 71135-1000, USA, Phone 318-865-1711

TOLL FREE 1-800-221-4583 Fax 318-868-5987

Distributed in Canada by GARLAND COMMERCIAL RANGES, LTD., 1177 Kamato, Mississauga, Ontario L4W 1X4

# PF50S and PF50R Portable Filters



PORTABLE FILTER (PF50 SHOWN)

**DIMENSIONS** (Hose is 66-1/2" (1689 mm) long, wand is 25" (635 mm) long.)

MODEL NO.	SHORTENING CAPACITY	OVERALL SIZE			DRAIN HEIGHT	APPROXIMATE SHIPPING DIMENSIONS					
		HEIGHT	WIDTH	LENGTH		WEIGHT	CLASS	CUBE	DIMENSIONS		
		H	W	L				H	W	L	
PF50	50 lbs. (28 liters)	13.25" (337 mm)	13.25" (337 mm)	30" (762 mm)	11.75" (296 mm)	85 lbs. (39 kg)	85	7.63	25" (635 mm)	16.75" (425 mm)	31.50" (800 mm)

### POWER REQUIREMENTS

1/3 H.P., 120V - 60 Hz. 9 Amp  
230 VAC 50 Hz. 5 Amp

### NOTES

Filters 50 lbs. of liquid shortening in 5 minutes.  
Independent heat control keeps piping open and free flowing when solid shortening is used.

### HOW TO SPECIFY

PF50S 50-lb. capacity standard, gravity drain  
PF50R 50-lb. capacity, reversible pump



**Frymaster, L. L. C.**  
8700 Line Avenue, P. O. Box 51000, Shreveport, Louisiana 71135-1000, USA, Phone 318-865-1711

**TOLL FREE 1-800-221-4583** Fax 318-868-5987

*Distributed in Canada by GARLAND COMMERCIAL RANGES, LTD., 1177 Kamato, Mississauga, Ontario L4W 1X4*