



Beverage Systems

Item # _____

Project _____

Date _____

Model # E49 Mini-Quad Premix Dispensers

Features



- Compact size saves valuable counter space.
- Dispense 4 flavors in less than 21 inches
- Famous two-piece stainless steel dripless pouring valves are sanitary and easy to use and maintain.
- Large capacity drip pans hold more
- Generous, yet compact, 9 liter (2.4 gallon) easy clean bowls are separate to allow individual bowl break down and flavor changes without “total system shut-down”.
- Unique evaporator and high efficiency pump design cools faster and more efficiently for faster start-ups.
- Superior engineering allows full beverage cooling right down to the last drink.
- Super-strong, virtually unbreakable polycarbonate bowls and covers give lasting durability.
- Modern styling, better design and more use of stainless steel allow easier cleaning and less maintenance.
- Second-to-none quality control with “field condition” testing.
- Agitators are included with each unit for fresh juices, coffees or teas.
- World-wide sales and service assure customer satisfaction.

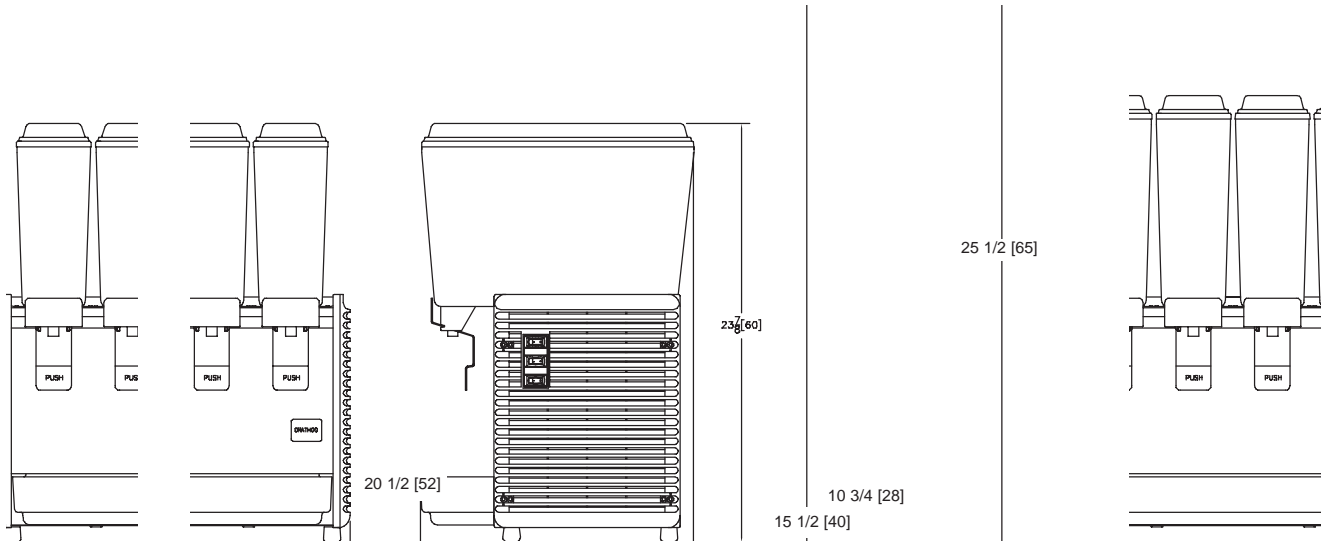


GRINDMASTER™
CORPORATION

Grindmaster® Coffee Grinders and Brewers • Espresso® Espresso Machines • Crathco® Hot Beverage Dispensers
Crathco® Cold and Frozen Beverage Dispensers • American Metal Ware® Coffee and Tea Systems
Tel (502) 425-4776 • Fax (502) 425-4664 • 1-800-695-4500
P.O. Box 35020 • Louisville, KY 40232 • USA
www.grindmaster.com • email: info@grindmaster.com

Model # E49 Mini-Quad

Premix Dispensers



Specifications	E49 (115V/60Hz)	E495 (230V/50Hz)	E496 (230V/60Hz)
# Bowls	4	4	4
Bowl Capacity (per bowl)	2.4 gallons (9L)	2.4 gallons (9L)	2.4 gallons (9L)
Refrigeration	1/5 hp	1/5 hp	1/5 hp
Volts / Hz / Amps	115V / 60Hz / 5.5Amp	230V / 50Hz / 2.7Amp	230V / 60Hz / 2.7Amp
Dimensions (H x W x D)	25 1/2" x 20 1/2" x 15" (65 cm x 52 cm x 38 cm)	25 1/2" x 20 1/2" x 15" (65 cm x 52 cm x 38 cm)	25 1/2" x 20 1/2" x 15" (65 cm x 52 cm x 38 cm)
Ship Dimensions (2 Boxes) (H x W x D)	Base: 22 1/4" x 25 1/4" x 15 1/4" 57cm x 64cm x 39cm Bowl: 26 1/8" x 25 1/4" x 15 1/4" 66cm x 64cm x 39cm	Base: 22 1/4" x 25 1/4" x 15 1/4" 57cm x 64cm x 39cm Bowl: 26 1/8" x 25 1/4" x 15 1/4" 66cm x 64cm x 39cm	Base: 22 1/4" x 25 1/4" x 15 1/4" 57cm x 64cm x 39cm Bowl: 26 1/8" x 25 1/4" x 15 1/4" 66cm x 64cm x 39cm
Ship Weight	91 lbs (base: 67, bowls: 21) 41.2 kg (base: 30.4, bowls: 10.8)	91 lbs (base: 67, bowls: 21) 41.2 kg (base: 30.4, bowls: 10.8)	91 lbs (base: 67, bowls: 21) 41.2 kg (base: 30.4, bowls: 10.8)
Cup Height	8" (20 cm)	8" (20 cm)	8" (20 cm)
Listings	UL, NSF, CUL	NSF, CE	NSF, CE

Options*	Mini-Quad Models
Side panels & drip trays	-3 Stainless steel material (additional charge), -4 off-white high impact plastic (standard - no additional charge)
7L (1.8 gal.) Bowls	Small 7L (1.8 gal.) bowls (available from Thailand plant only) for lower capacity storage needs
Frosted Bowls, 2.4 gal. (9L)	Frosted surface simulates condensation while helping hide product residue (when agitating milk based products) and offering added UV protection (for fresh juice products).
Frosted Lid	Lid with frosted surface for use with 2.4 gallon (9 liter) frosted bowls
Valve cap (part# 2039)	Improves sealing of valve when using pulpy products
Valve locking box (part# 2502) (use w/ standard handle)	Secures the valve from dispensing during off-hours - not to be used with non-contact handle
Liquid Auto Fill (part# 90295)	Ensures proper product and mixing consistency, maintains optimum product level in bowls, eliminates need for frequent manual mixing
Milk Fat Impellers	Use with milkbased products, and/or products with heavy pulp

*Extra cost for options listed above

Specifications are subject to improvement or change without notice.

Ask about the Grindmaster Corporation's line of Coffee Grinders, Coffee Brewers, Coffee Urns, Coffee Shuttles, Coffee Grindermixers, Espresso Grinders, Espresso Brewers, Beverage Dispensers, Granita Machines and Beverage Freezers.



GRINDMASTER™
CORPORATION

Grindmaster® Coffee Grinders and Brewers • Espresso® Espresso Machines • Crathco® Hot Beverage Dispensers
Crathco® Cold and Frozen Beverage Dispensers • American Metal Ware® Coffee and Tea Systems

Tel (502) 425-4776 • Fax (502) 425-4664 • 1-800-695-4500

P.O. Box 35020 • Louisville, KY 40232 • USA

www.grindmaster.com • email: info@grindmaster.com