



6205, 6210 Multipurpose Peelers

Performance

The 6205 and 6210 multipurpose peelers will handle a maximum of operations in a minimum of time.

A complete choice of accessories gives the versatility needed in the kitchen for peeling potatoes and other root vegetables or onions, cleaning mussels or drying salad.

Capacity

5 kg (6205), 10 kg (6210)

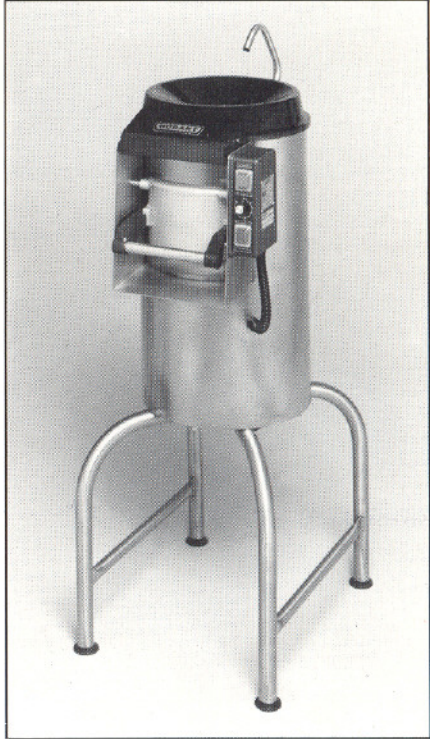
Motor

6205: 0,24 kW, single phase only

6210: 0,37 kW, single or three phase



6205 shown as table model



6210 on optional stand

Ease of Operation

The units can be operated on manual or timer position (up to 5 minutes).

Convenient unloading by pushing "ON" button with door open.

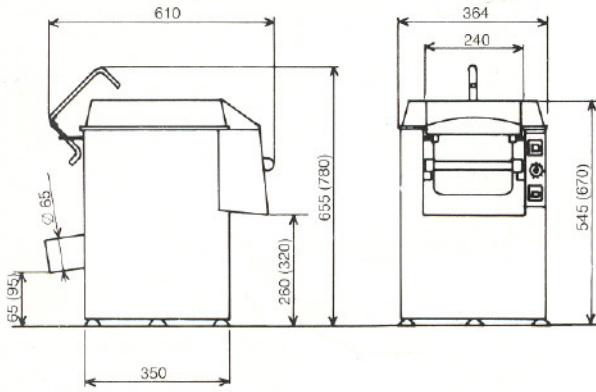
Accessories are removable without the use of tools. The stainless steel housing and plastic hopper cover are easy to clean.

Safety

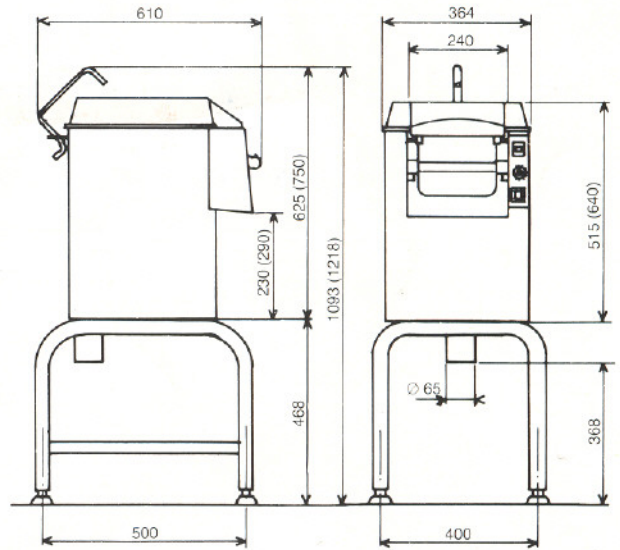
An interlock switch shuts off the unit when hopper cover or door are opened during operation.

Technical Data and Accessories

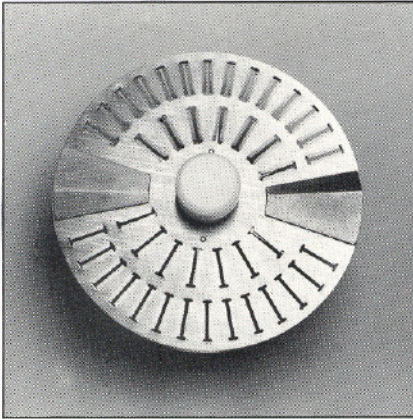
Table model



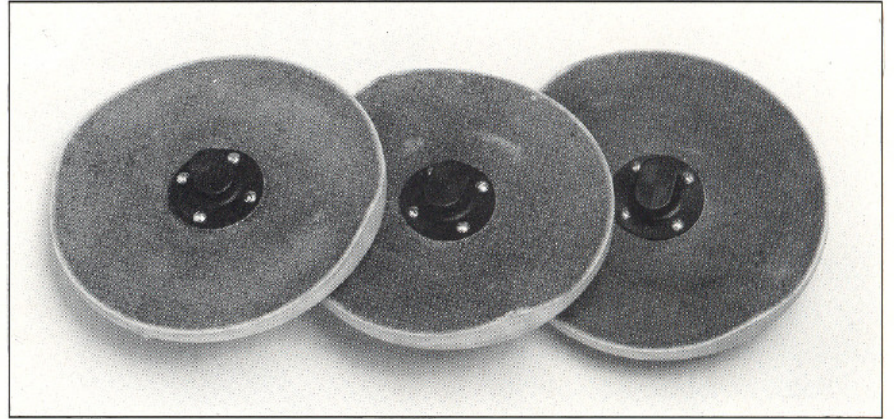
Model on optional stand



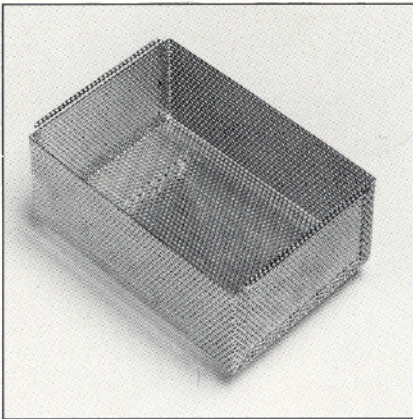
Note: figures in brackets indicate height of model 6210.



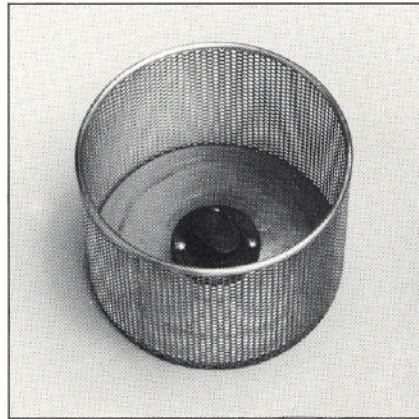
Knife disc for potatoes
(Carborundum supplied as standard)



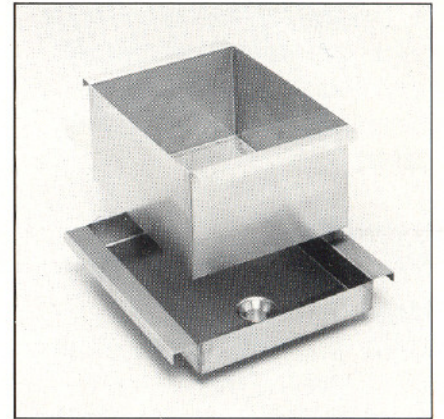
Carborundum discs for large onions, small onions, mussels



Peel basket (table model)



Salad drier basket



Peel trap with catcher (for model on stand)

Casters for stand are available as option.

As continued product improvement is a policy of HOBART, specifications are subject to change without notice.